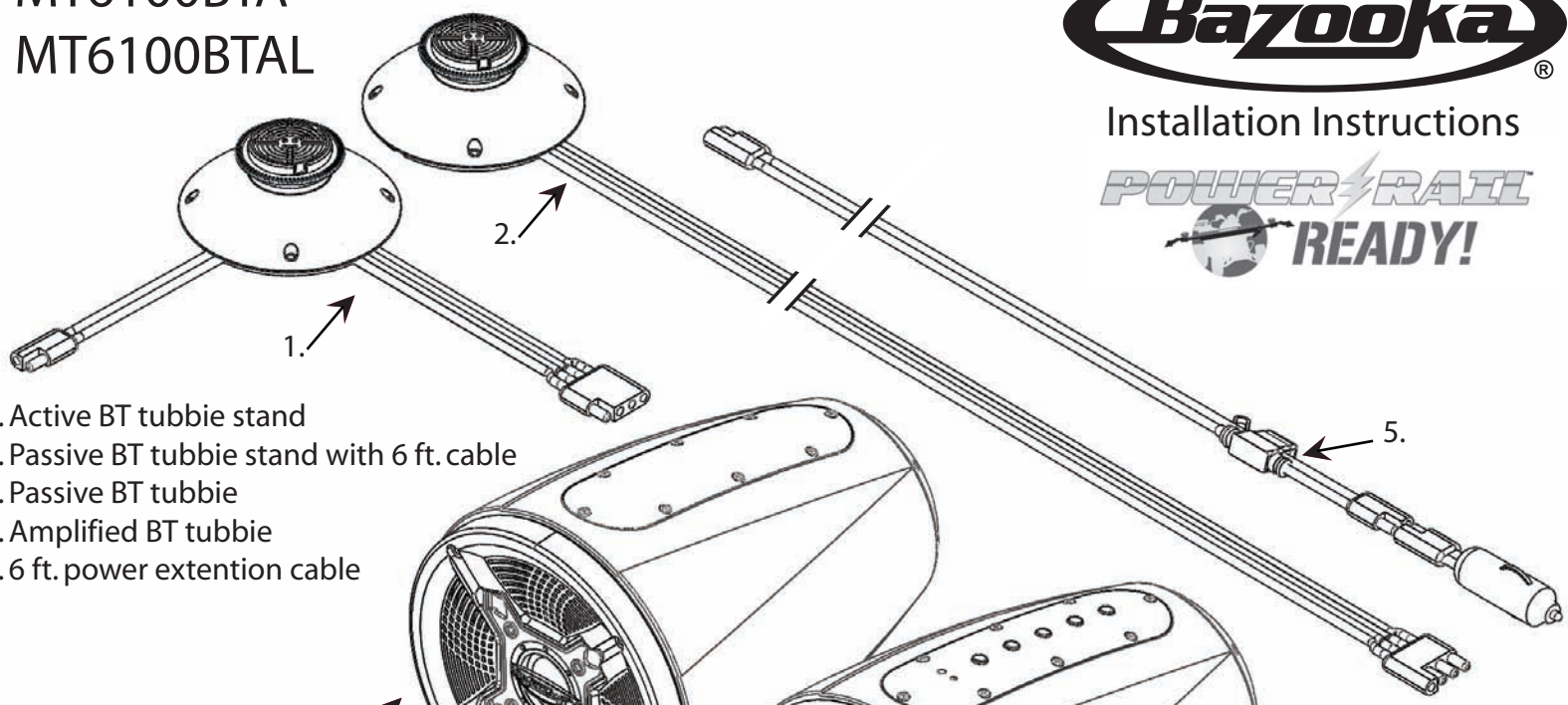


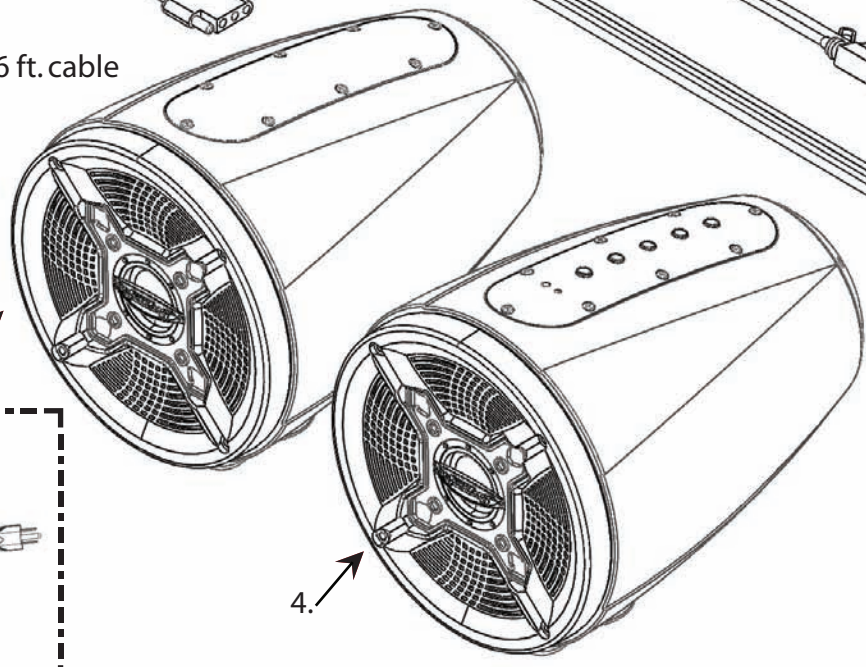
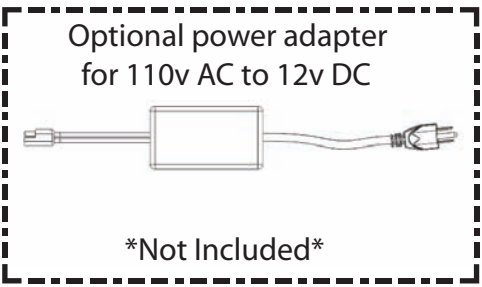
MT6100BTA
MT6100BTAL



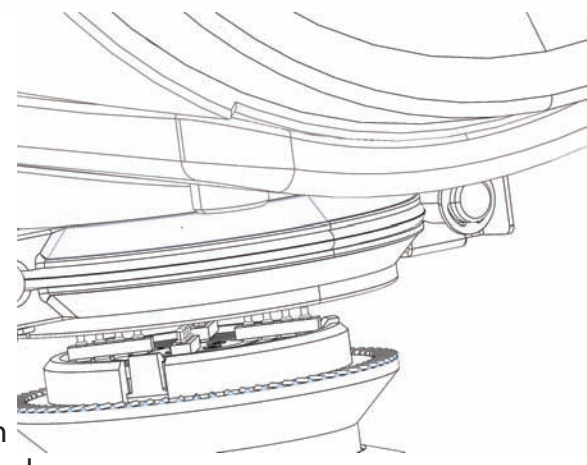
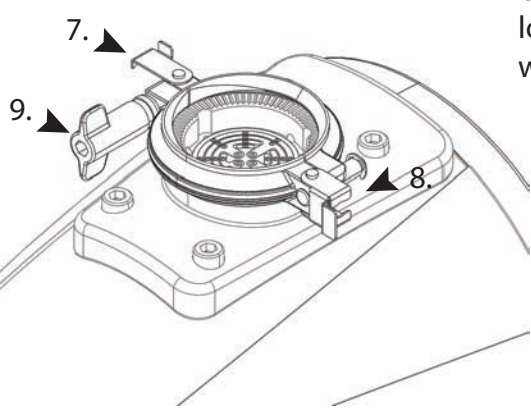
Installation Instructions



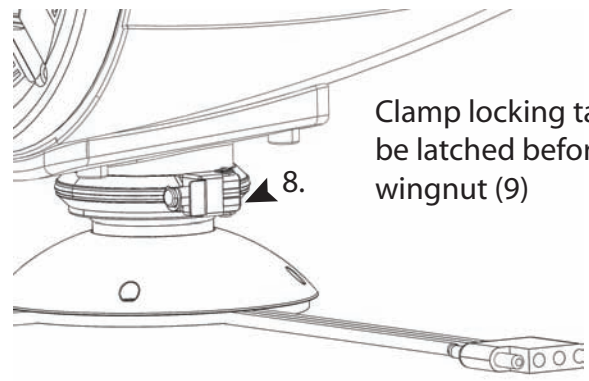
- 1. Active BT tubbie stand
- 2. Passive BT tubbie stand with 6 ft. cable
- 3. Passive BT tubbie
- 4. Amplified BT tubbie
- 5. 6 ft. power extension cable



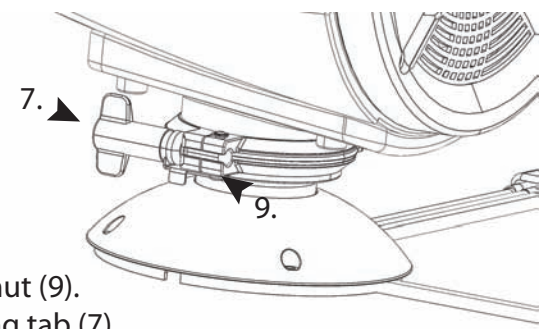
Unlatch nut (7) and clamp (8) locking tabs. Then unscrew wingnut (9).



Line amplified tubbie (4) up with the PCB mount on the top of the tubbie stand (1). Then push down firmly until clamp snaps in place.



Clamp locking tab (8) ***MUST*** be latched before tightening wingnut (9)

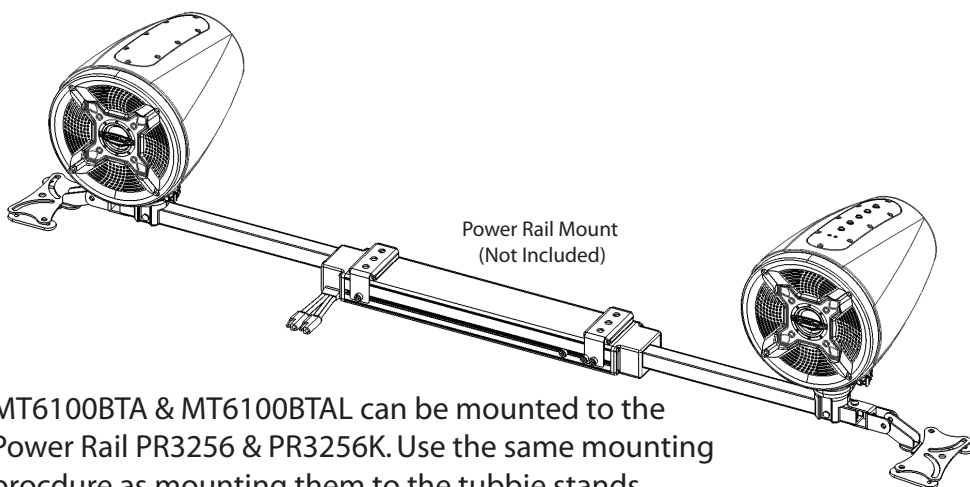


Tighten clamp wingnut (9). Then close nut locking tab (7). Then repeat steps to mount passive tubbie (3) to passive stand (2)

MT6100BTA MT6100BTAL



Installation Instructions



Power Rail Mount
(Not Included)

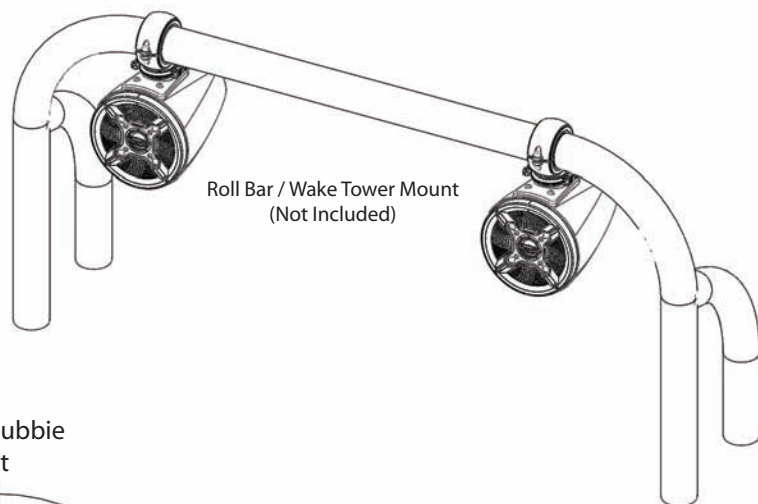
MT6100BTA & MT6100BTAL can be mounted to the Power Rail PR3256 & PR3256K. Use the same mounting procedure as mounting them to the tubbie stands.

(see page 1)

CAUTION: The Power Rail master power switch should always be in the OFF position before adding or exchanging accessories.

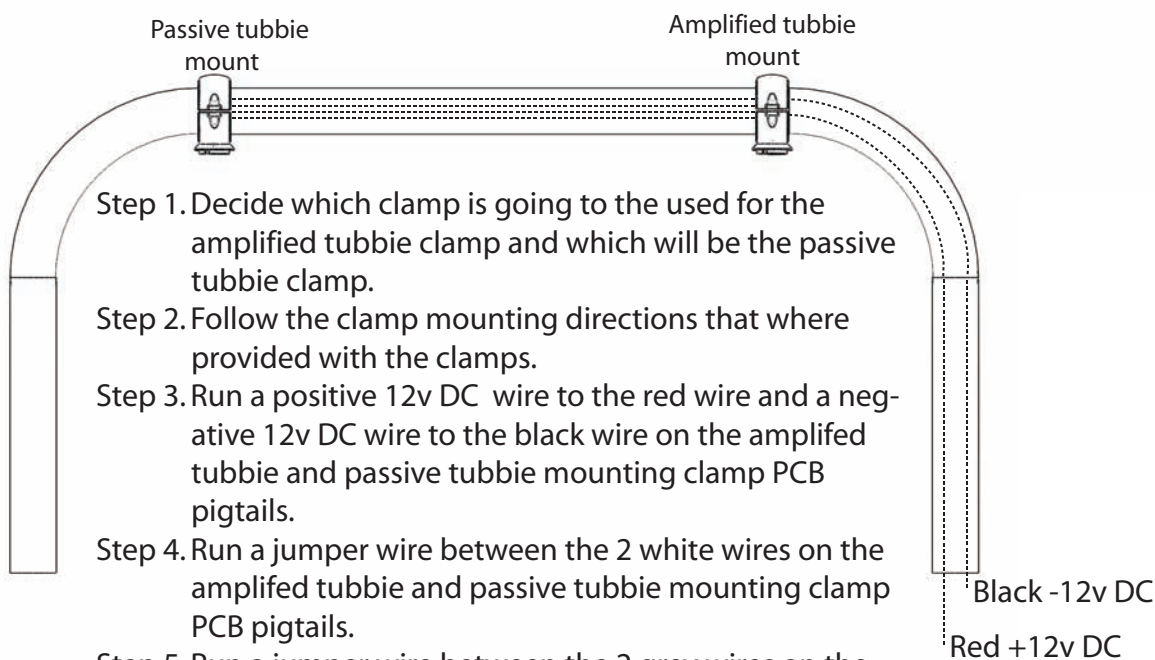
MT6100BTA & MT6100BTAL can be mounted to the marine tubbie quick disconnect clamps MT-CL2-B, MT-CL2-SS, and MT-CL3-SS. Use the same mounting procedure as mounting them to the tubbie stands.

(see page 1)



Roll Bar / Wake Tower Mount
(Not Included)

To be able to use the MT6100BTA & MT6100BTAL with the bar mount clamps you will have to wire clamps in this configuration.



Step 1. Decide which clamp is going to be used for the amplified tubbie clamp and which will be the passive tubbie clamp.

Step 2. Follow the clamp mounting directions that were provided with the clamps.

Step 3. Run a positive 12v DC wire to the red wire and a negative 12v DC wire to the black wire on the amplified tubbie and passive tubbie mounting clamp PCB pigtails.

Step 4. Run a jumper wire between the 2 white wires on the amplified tubbie and passive tubbie mounting clamp PCB pigtails.

Step 5. Run a jumper wire between the 2 grey wires on the amplified tubbie and passive tubbie mounting clamp PCB pigtails.

Step 6. Use the same mounting procedure as mounting tubbies to the tubbie stands. (see page 1)

MT6100BTA MT6100BTAL



Installation Instructions



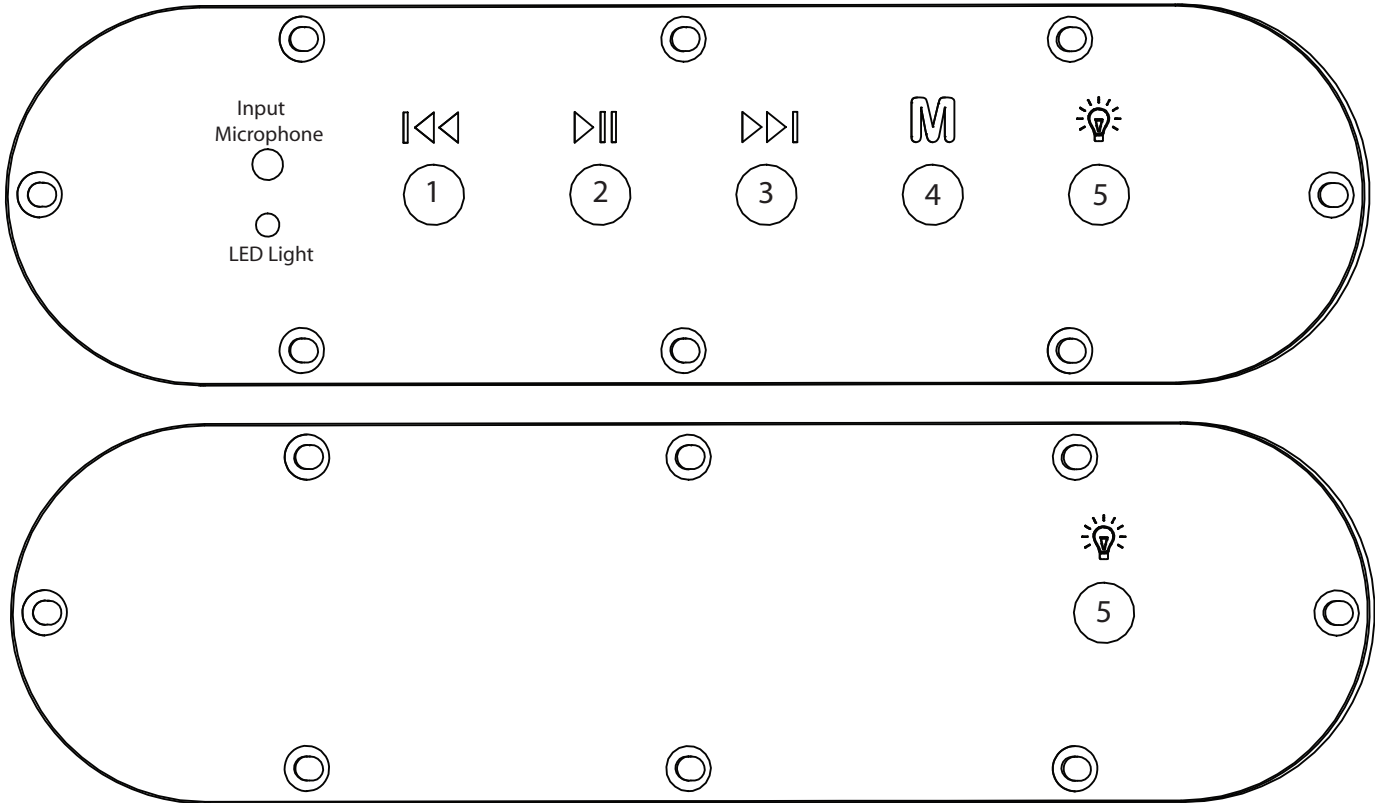
Button 1 ⏮ Press to go back one track, Press and hold to decrease volume.

Button 2 ⏸ Press to play/pause, Press to answer/hang up phone, Double press for last number radial or open Siri on Iphone, Press and hold to unpair bluetooth device.

Button 3 ⏭ Press to go forward one track, Press and hold to increase volume.

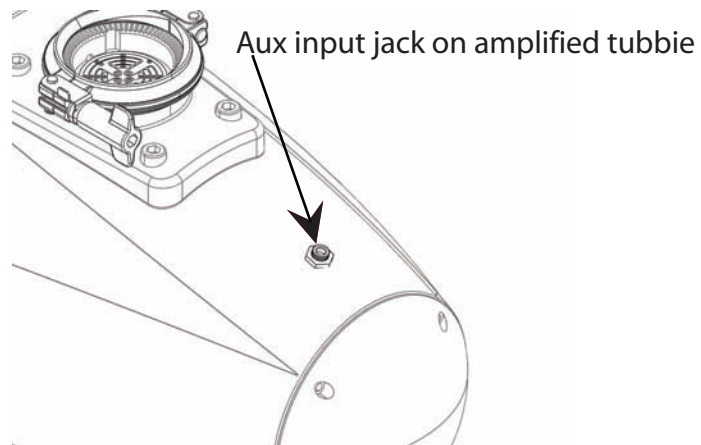
Button 4 M Press to power on, press while power is on to switch input between aux. and bluetooth inputs, Press and hold to power off.

Button 5 💡 Floodlight on/off switch only operable on the MT6100BTAL.



LED light status indicator:

LED Light	Description
Blinking:	Bluetooth module is pairing
Solid blue:	Bluetooth module is paired
Blue/Red:	Bluetooth module is in AUX input mode



Bluetooth module audio indicators:

Audio Response	Description
Power on:	Module is turned on
Power off:	Module is turned off
Beep:	After LED light stops blinking means module is paired
Beep:	When play/pause button ⏸ is pressed and held means module is unpaired from Bluetooth device.
Double Beep:	When forward button ⏭ is pressed and held means module has reached maximum volume.



Southern Audio Services, Inc., warrants all products to be free from defects in material and workmanship for a period of one (1) year from the date of purchase. In the event the product is not as warranted, SAS's sole obligation shall be to repair or replace the defective product at SAS's option: SAS limits its obligation under any implied warranties under state laws to a period not to exceed the limited warranty period. SAS and its authorized dealers specifically disclaim liability for any incidental or consequential damages. Some states do not allow limitations on how long an implied warranty lasts, and some states do not allow the exclusion or limitation of incidental or consequential damages, so the above limitation or exclusions may not apply to you. This warranty gives you specific legal rights, and you may have other rights, which vary from state to state.

What is covered: This warranty covers all defects in materials or workmanship (parts and labor) in the product.

What is not covered: This warranty does not cover the following:

1. Damages occurring during shipment of the product to SAS for repair (Claims must be presented to the carrier).
2. Damages caused by accident, abuse, negligence, misuse or improper Operation or installation.
3. Damages caused by an act of God, including without limitation, fire, flood Storm or other acts of nature.
4. Any product, which has a serial number, defaced, altered, modified, or removed.
5. Any product that has been altered or modified without SAS's consent.

How to obtain warranty services:

1. You are responsible for delivery of the product to SAS or contact SAS at 1-800-THE TUBE for a Return Authorization number. The Return Authorization number must be clearly written on the outside of the box. Freight must be prepaid to SAS. Warranty replacement parts will be returned freight prepaid. The entire product may be returned for warranty service, but return will be freight collect.
2. You must provide proof of the date of purchase of the product. If proof of purchase is not provided, original date of manufacture will be used to determine warranty period.
3. You must package the product securely to avoid damage during shipment.
4. After acquiring a Return Authorization number, ship to the address below. Please complete this section and retain for your records.

FCC Compliance Statement

This device complies with Part 15 of the FCC rules. Operation of the device is subject to the following two conditions:

1. This device may not cause harmful interference.
2. This device must accept any interference received, including interference that may cause undesired operations.

Changes or modifications not expressly approved by the party responsible for compliance could void the users authority to operate this device

Southern Audio Services
14763 Florida Blvd.
Baton Rouge La. 70819

Model(s) purchased _____

Serial number(s) _____

Date Purchased _____

Place of Purchase _____