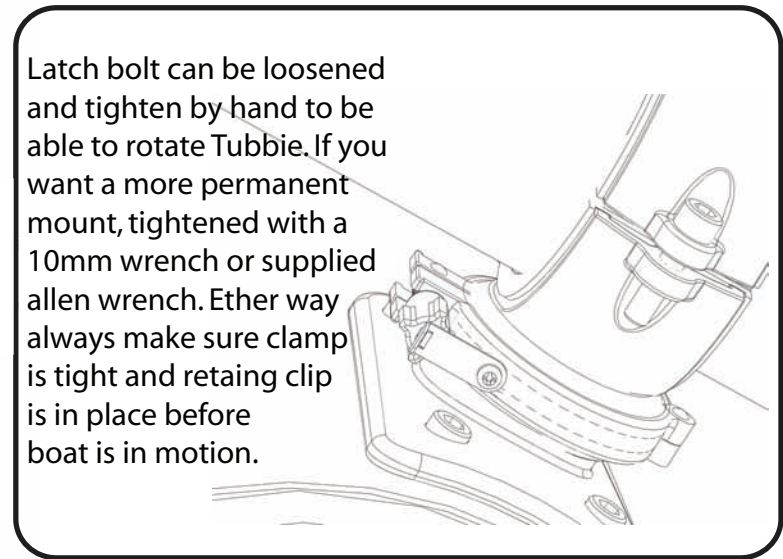
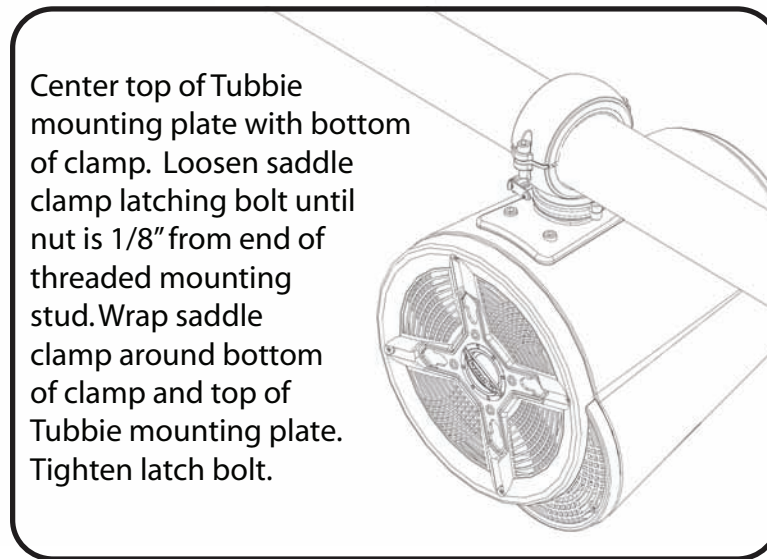
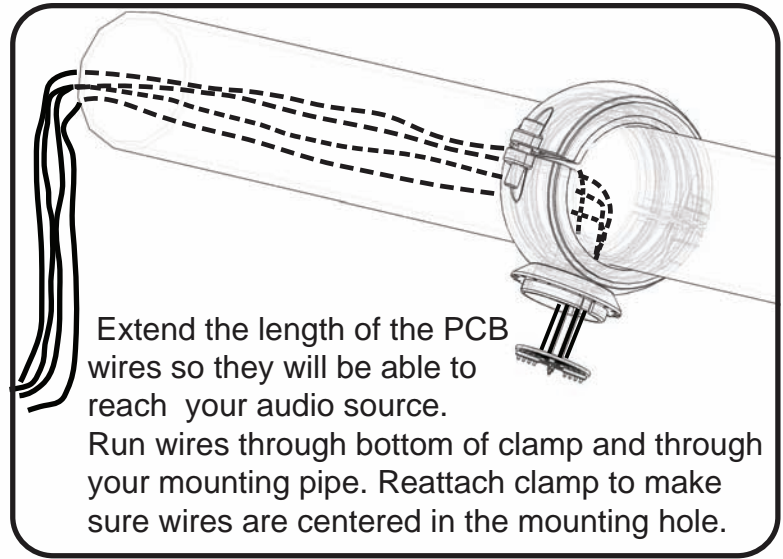
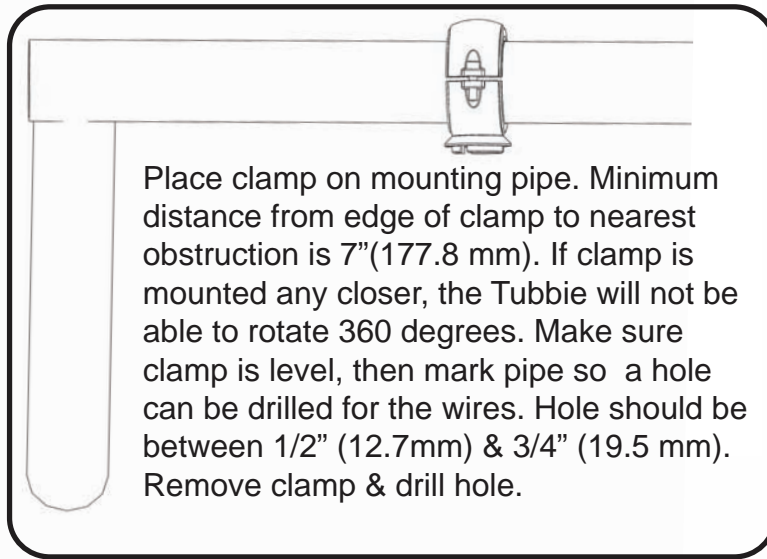
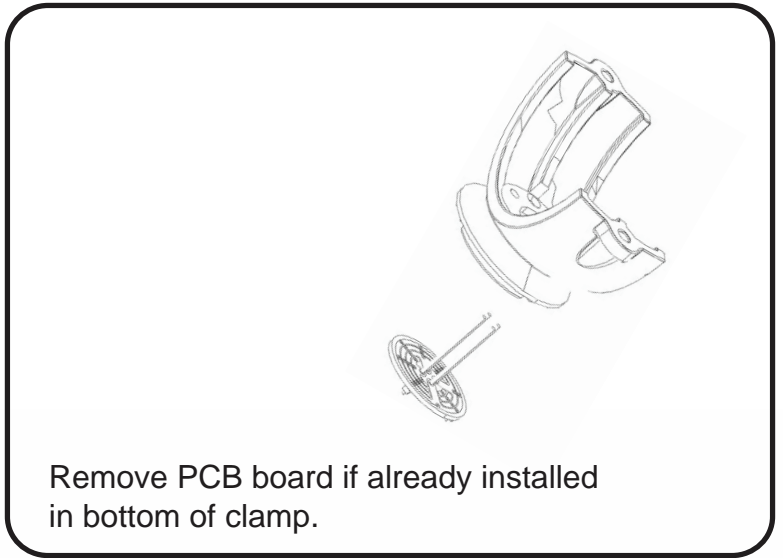
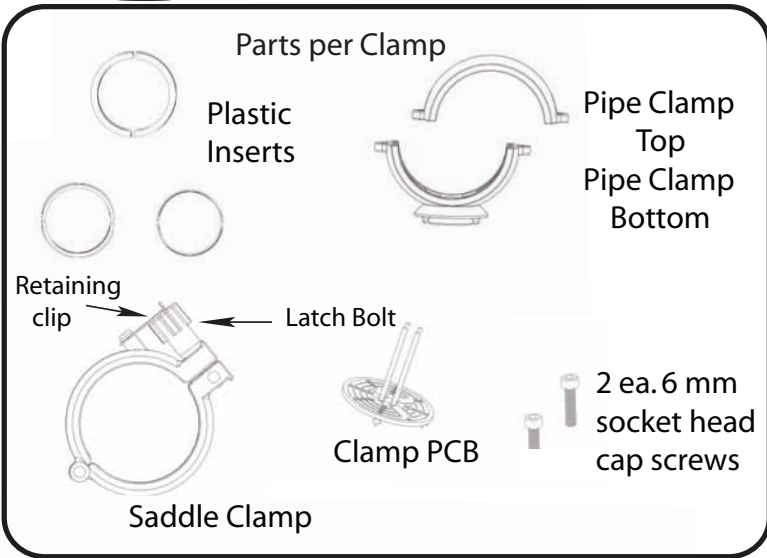




MTCL3-S, MTCL2-S, MTCL2-B



MT8100B / MT8100W
Single ended Tubbies:
Red - Speaker positive
Black - Speaker negative
Gray - NA
White - NA

MT81LKB / MT81LKW
Single ended Tubbies w/ light kit
Red - Speaker positive
Black - Speaker negative
Gray - 12vdc positive
White - 12 vdc negative

MT8265B / MT265W
Double ended Tubbies
Dual 4 ohm configuration
Red - Speaker positive
Black - Speaker negative
Gray - Speaker negative
White - Speaker positive

MT8265B / MT265W
Double ended Tubbies
Single 2 ohm configuration
Combine Red and White Speaker positives
Combine Black and Gray Speaker negative