



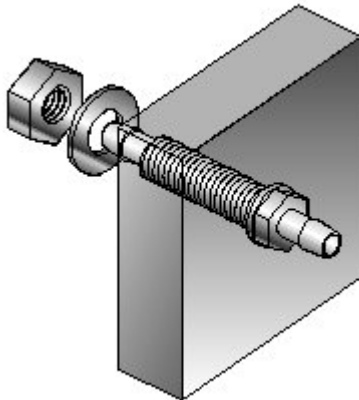
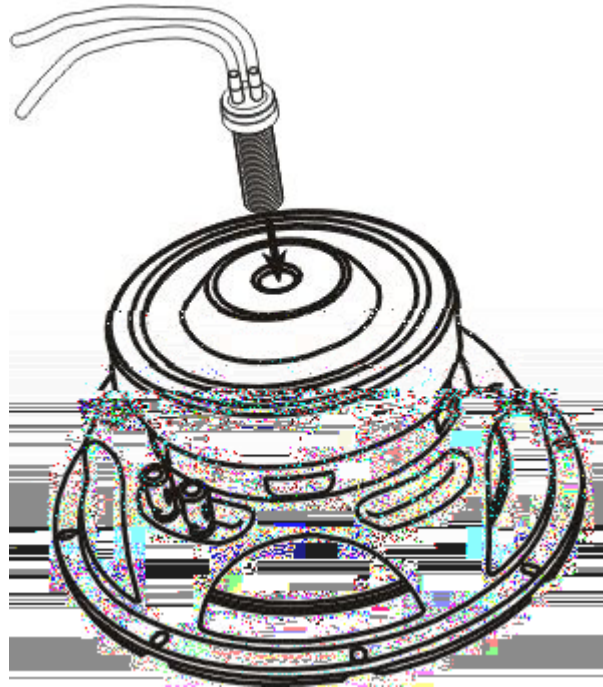
EL WOOFER LIQUID COOLING DETAILS

(Bazooka Mobile Audio part numbers C.H.I.L.-PLUG and C.H.I.L.-FTG)

The C.H.I.L. PLUG simply screws into the pole piece of the EL Woofer.

The PLUG can be screwed in without any additional modifications, but Bazooka Mobile Audio recommends adding a small amount of thermal grease compound (Radio Shack Cat. #: 276-1372) to ensure maximum heat transfer.

The liquid simply flows into one side of the PLUG and out the other. Since the PLUG's outer housing is made from aluminum, heat is transferred from the motor structure of the woofer into the liquid that's inside the PLUG.



The companion piece to the PLUG is the C.H.I.L. FTG is designed to allow easy insertion of the liquid cooling hoses into an enclosure. The FTG simply is a coupling combined with 1.5 inches of thread. To use, simply drill a hole in the enclosure, slide the FTG through, and tighten the nut on the opposite side of the enclosure. Install the hoses internally to the PLUG, and externally to the PACK, and you're good to go! How cool is that?